

# WHEELED EXCAVATORS

## WX210E



### ENGINE

Model \_\_\_\_\_ Cummins B6.7  
 Type \_\_\_\_\_ Water-cooled, 4-cycle diesel, 6-cylinder in line,  
 High pressure common rail system (electric control),  
 turbocharger with air cooled intercooler, DOC+DPF+SCR,  
 EGR free.  
 Emissions \_\_\_\_\_ Stage V  
 Number of cylinders / Displacement (l) \_\_\_\_\_ 6 / 6.7  
 Bore and stroke (mm) \_\_\_\_\_ 107 x 124  
**Rated flywheel horse power**  
 ISO 9249 (kW) \_\_\_\_\_ 127 at 2200 min<sup>-1</sup> (rpm)  
 ISO 14396 (kW) \_\_\_\_\_ 129 at 2200 min<sup>-1</sup> (rpm)  
**Maximum torque**  
 ISO 14396 (Nm) \_\_\_\_\_ 881 at 1300 min<sup>-1</sup> (rpm)

### HYDRAULIC SYSTEM

Main pump \_\_\_\_\_ Variable displacement piston pump  
 Max. oil flow (l/min) \_\_\_\_\_ 2 x 208 at 1600 min<sup>-1</sup>  
**Working circuit pressure**  
 Boom/Arm/Bucket (MPa) \_\_\_\_\_ 34.3 - 37.3 with auto power boost  
 Swing circuit (MPa) \_\_\_\_\_ 26  
 Travel circuit (MPa) \_\_\_\_\_ 37.3  
 Pilot circuit (MPa) \_\_\_\_\_ 3.9  
**Boom cylinders**  
 Bore (mm) \_\_\_\_\_ 120  
 Stroke (mm) \_\_\_\_\_ 1275  
**Boom positioning (2 piece boom only)**  
 Bore (mm) \_\_\_\_\_ 170  
 Stroke (mm) \_\_\_\_\_ 720  
**Arm cylinder**  
 Bore (mm) \_\_\_\_\_ 140  
 Stroke (mm) \_\_\_\_\_ 1510  
**Bucket cylinder**  
 Bore (mm) \_\_\_\_\_ 120  
 Stroke (mm) \_\_\_\_\_ 1055

### SWING

Swing motor \_\_\_\_\_ Axial piston motor with reduction gear  
 Maximum swing speed (min<sup>-1</sup>) \_\_\_\_\_ 10.7  
 Swing torque (Nm) \_\_\_\_\_ 63,200  
 Brake system \_\_\_\_\_ Automatic, spring applied  
 hydraulic released

### ELECTRICAL SYSTEM

Voltage (V) \_\_\_\_\_ 24  
 Alternator (Amp) \_\_\_\_\_ 95  
 Starter (V - kW) \_\_\_\_\_ 24 - 4.8  
 Battery \_\_\_\_\_ 2 X 12 V 100 Ah

### STEERING

Type \_\_\_\_\_ Orbitrol steering system  
 Minimum turning radius (m) \_\_\_\_\_ 6.7

### AXLES

Type \_\_\_\_\_ 4 wheel drive with differential, oscillating front axle  
 with automatic or operator controlled oscillation lock,  
 fixed rear axle  
 Brake type \_\_\_\_\_ Wet multi-disc  
 Parking brake type \_\_\_\_\_ Wet multi-disc integrated  
 in transmission

### UNDERCARRIAGE

Transmission \_\_\_\_\_ 2 speed hydrostatic powershift  
 Travel motor \_\_\_\_\_ Variable displacement bent-axis axial  
 piston motor  
 High travel speed (Automatic travel speed shifting) (km/h) \_\_\_\_\_ 38  
 Low travel speed (km/h) \_\_\_\_\_ 10  
 Creep speed (km/h) \_\_\_\_\_ 3  
 Drawbar pull (kN) \_\_\_\_\_ 119  
 Gradeability \_\_\_\_\_ 58% (30°)

### NOISE

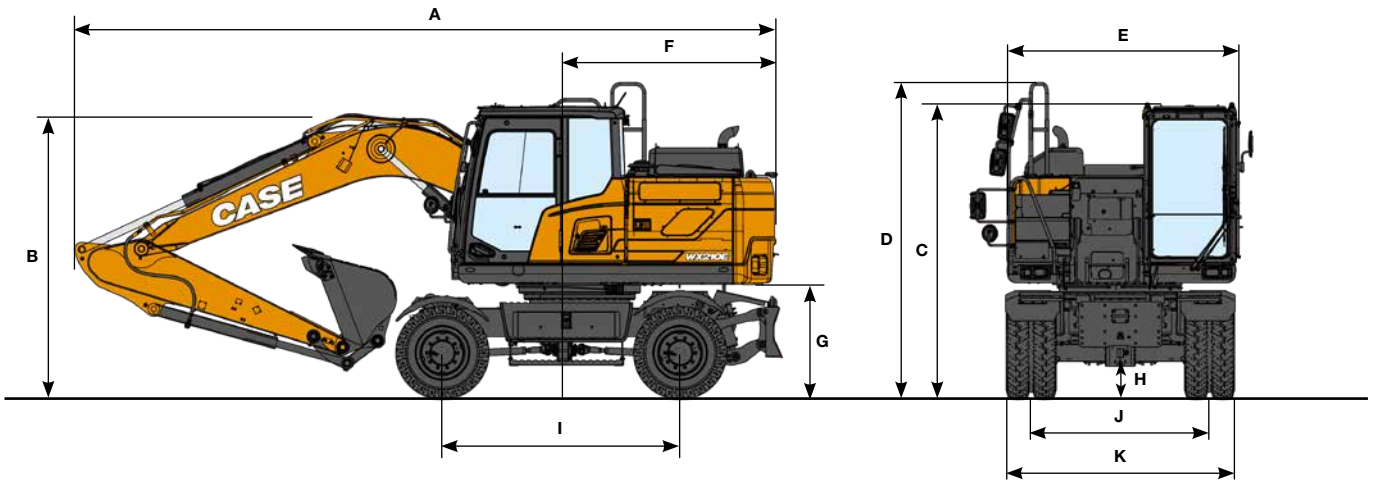
External guaranteed sound level  
 (EU Directive 2000/14/EC) \_\_\_\_\_ LwA 96 dB(A)  
 Operator cab sound pressure level (ISO 6396) \_\_\_\_\_ LpA 68 dB(A)

### CIRCUIT AND COMPONENT CAPACITIES

Fuel tank (l) \_\_\_\_\_ 310  
 Hydraulic system (l) \_\_\_\_\_ 340  
 Hydraulic tank (l) \_\_\_\_\_ 165  
 AdBlue tank (l) \_\_\_\_\_ 48

# DIMENSIONS

## WX210E MONO



GENERAL DIMENSIONS		Arm 2.92 m	Arm 2.40 m	Arm 2.70 m
A Overall length (with attachment) (traveling/transportation)	mm	9380 / 9500	9590 / 9680	9540 / 9570
B Overall height (to top of boom) (traveling/transportation)	mm	4020 / 3150	3720 / 3350	3650 / 3240
C Cab height	mm	3260	3260	3260
D Overall height (to top of handrail)	mm	3330	3330	3330
E Upper structure overall width	mm	2530	2530	2530
F Swing (rear end) radius	mm	2740	2740	2740
G Clearance height under upper structure	mm	1295	1295	1295
H Minimum ground clearance	mm	347	347	347
I Wheel base (center to center of wheels)	mm	2800	2800	2800
J Tread (standard axles/wide axles)	mm	1914 / 2114	1914 / 2114	1914 / 2114
K Undercarriage overall width (standard axles/wide axles)	mm	2530 / 2700	2530 / 2700	2530 / 2700

## WEIGHT

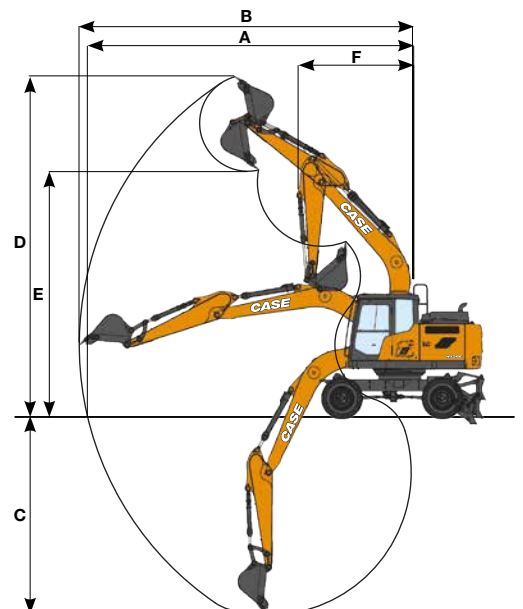
With 2.92 m arm, 0.8 m<sup>3</sup> bucket, 10.00×20 twin tires, heavy counterweight, operator, lubricant, coolant, full fuel tank.

MONO	WEIGHT
Rear blade	21180 kg
Front blade and rear stabilizers	22510 kg

Std counterweight: 3000 kg  
 Heavy counterweight: 3000 kg + 400 kg  
 Very heavy counterweight: 3000 kg + 1100 kg

PERFORMANCE DATA		Arm 2.92 m	Arm 2.40 m	Arm 2.70 m
Boom length	mm	5650	5650	5650
A Maximum reach at GRP	mm	9770	9270	9550
B Maximum reach	mm	9970	9480	9760
C Max. digging depth	mm	6430	5860	6210
D Max. digging height	mm	10020	9710	9870
E Max. dumping height	mm	7160	6860	7010
F Min. swing radius	mm	3460	3520	3490

DIGGING FORCE (ISO 6015)		Arm 2.92 m	Arm 2.40 m	Arm 2.70 m
Arm digging force	kN	107	127	114
with Auto power up	kN	116	137	124
Bucket digging force	kN	151	151	151
with Auto power up	kN	164	164	164



# LIFTING CAPACITY

## WX210E MONO

		REACH										
		3.0 m		4.5 m		6.0 m		7.5 m		At max reach		
Front	Side											m
<b>FRONT BLADE &amp; REAR STABILIZERS DOWN</b> - Mono boom 5.65 m, arm 2.40 m, 3400 kg counterweight												
7.5 m										4820*	4820*	5.72
6.0 m						5520*	5520*			4400*	4400*	6.89
4.5 m				7190*	7190*	5960*	5550	5130*	3880	4300*	3800	7.59
3.0 m				8800*	8140	6640*	5310	5630*	3790	4390*	3460	7.94
1.5 m				10000*	7680	7260*	5080	5870*	3690	4680*	3360	8.00
0 m				10280*	7480	7540*	4940	5900*	3630	5240*	3460	7.76
-1.5 m	11990*	11990*		9780*	7470	7290*	4910			5710*	3840	7.21
-3.0 m	11220*	11220*		8410*	7600	6070*	5010			5610*	4760	6.25
<b>FRONT BLADE &amp; REAR STABILIZERS UP</b> - Mono boom 5.65 m, arm 2.40 m, 3400 kg counterweight												
7.5 m										4820*	4670	5.72
6.0 m						5520*	4330			4400*	3410	6.89
4.5 m				7190*	6460	5960*	4180	4330	2910	4240	2850	7.59
3.0 m				8800*	5920	5980	3950	4250	2830	3870	2580	7.94
1.5 m				8890	5500	5750	3730	4140	2730	3760	2480	8.00
0 m				8680	5320	5600	3600	4070	2670	3890	2550	7.76
-1.5 m	11990*	10010		8660	5310	5570	3570			4320	2830	7.21
-3.0 m	11220*	10230		8410*	5420	5680	3670			5380	3500	6.25
<b>FRONT &amp; REAR STABILIZERS DOWN</b> - Mono boom 5.65 m, arm 2.40 m, 3400 kg counterweight												
7.5 m										4820*	4820*	5.72
6.0 m						5520*	5520*			4400*	4400*	6.89
4.5 m				7190*	7190*	5960*	5960*	5130*	4570	4300*	4300*	7.59
3.0 m				8800*	8800*	6640*	6310	5630*	4490	4390*	4100	7.94
1.5 m				10000*	9380	7260*	6070	5870*	4380	4680*	3980	8.00
0 m				10280*	9170	7540*	5920	5900*	4320	5240*	4120	7.76
-1.5 m	11990*	11990*		9780*	9160	7290*	5890			5710*	4570	7.21
-3.0 m	11220*	11220*		8410*	8410*	6070*	6000			5610*	5610*	6.25
<b>FRONT BLADE &amp; REAR STABILIZERS DOWN</b> - Mono boom 5.65 m, arm 2.70 m, 3400 kg counterweight												
7.5 m						4180*	4180*			3620*	3620*	6.10
6.0 m						5270*	5270*			3330*	3330*	7.21
4.5 m				6840*	6840*	5750*	5750*	5240*	4130	3260*	3260*	7.88
3.0 m				8500*	8500*	6480*	5650	5510*	4030	3330*	3330*	8.22
1.5 m				9840*	8230	7170*	5410	5820*	3920	3540*	3390	8.27
0 m	6270*	6270*		10320*	7980	7540*	5250	5940*	3840	3950*	3490	8.05
-1.5 m	11690*	11690*		9980*	7930	7410*	5190	4870*	3840	4700*	3830	7.51
-3.0 m	12050*	12050*		8810*	8030	6470*	5260			5530*	4640	6.59
-4.5 m				6090*	6090*					5010*	5010*	5.08
<b>FRONT BLADE &amp; REAR STABILIZERS UP</b> - Mono boom 5.65 m, arm 2.70 m, 3400 kg counterweight												
7.5 m						4180*	4180*			3620*	3620*	6.10
6.0 m						5270*	4470			3330*	3260	7.21
4.5 m				6840*	6670	5750*	4300	4400	3010	3260*	2760	7.88
3.0 m				8500*	6130	6070	4070	4300	2920	3330*	2510	8.22
1.5 m				9020	5680	5820	3850	4180	2810	3540*	2430	8.27
0 m	6270*	6270*		8760	5460	5650	3700	4100	2730	3720	2490	8.05
-1.5 m	11690*	10150		8710	5420	5590	3650	4100	2730	4090	2730	7.51
-3.0 m	12050*	10350		8810	5500	5660	3710			4980	3300	6.59
-4.5 m				6090*	5760					5010*	4900	5.08
<b>FRONT &amp; REAR STABILIZERS DOWN</b> - Mono boom 5.65 m, arm 2.70 m, 3400 kg counterweight												
7.5 m						4180*	4180*			3620*	3620*	6.10
6.0 m						5270*	5270*			3330*	3330*	7.21
4.5 m				6840*	6840*	5750*	5750*	5240*	4630	3260*	3260*	7.88
3.0 m				8500*	8500*	6480*	6370	5510*	4530	3330*	3330*	8.22
1.5 m				9840*	9490	7170*	6120	5820*	4410	3540*	3540*	8.27
0 m	6270*	6270*		10320*	9230	7540*	5960	5940*	4330	3950*	3920	8.05
-1.5 m	11690*	11690*		9980*	9180	7410*	5900	4870*	4320	4700*	4320	7.51
-3.0 m	12050*	12050*		8810*	8810*	6470*	5970			5530*	5250	6.59
-4.5 m				6090*	6090*					5010*	5010*	5.08

\* The above loads (kg) are compliant to the ISO standards and refer to the excavator equipped without bucket. The indicated loads are no more than 87% of hydraulic system lift capacity or 75% of static tipping load. Values marked with an asterisk (\*) are limited by the hydraulic lifting capacity.

# LIFTING CAPACITY

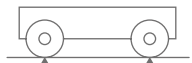
## WX210E MONO

REACH													
Front Side	1.5 m		3.0 m		4.5 m		6.0 m		7.5 m		At max reach		m
	<b>FRONT BLADE &amp; REAR STABILIZERS DOWN</b> - Mono boom 5.65 m, arm 2.92 m, 3400 kg counterweight												
7.5 m							4680*	4680*			3140*	3140*	6.39
6.0 m							5020*	5020*			2900*	2900*	7.45
4.5 m					6500*	6500*	5520*	5520*	5030*	4110	2840*	2840*	8.10
3.0 m					8160*	8160*	6270*	5620	5340*	4000	2890*	2890*	8.43
1.5 m					9580*	8190	6990*	5360	5680*	3870	3070*	3070*	8.49
0 m					6650*	6650*	10180*	7900	7420*	5180	5850*	3780	8.27
-1.5 m	7190*	7190*	11250*	11250*	9980*	7830	7370*	5110	5620*	3760	4010*	3600	7.75
-3.0 m	11870*	11870*	12450*	12450*	8950*	7910	6600*	5160			5240*	4310	6.86
-4.5 m			9040*	9040*	6580*	6580*					4960*	4960*	5.43
<b>FRONT BLADE &amp; REAR STABILIZERS UP</b> - Mono boom 5.65 m, arm 2.92 m, 3400 kg counterweight													
7.5 m							4680*	4480			3140*	3140*	6.39
6.0 m							5020*	4460			2900*	2900*	7.45
4.5 m					6500*	6500*	5520*	4290	4380	2980	2840*	2600	8.10
3.0 m					8160*	6130	6040	4040	4260	2880	2890*	2370	8.43
1.5 m					8990	5640	5770	3800	4130	2760	3070*	2280	8.49
0 m					6650*	6650*	8680	5380	5590	3630	4040	2330	8.27
-1.5 m	7190*	7190*	11250*	9960	8600	5310	5510	3570	4020	2650	3850	2550	7.75
-3.0 m	11870*	11870*	12450*	10160	8690	5390	5560	3610			4630	3050	6.86
-4.5 m			9040*	9040*	6580*	5620					4960*	4370	5.43
<b>FRONT &amp; REAR STABILIZERS DOWN</b> - Mono boom 5.65 m, arm 2.92 m, 3400 kg counterweight													
7.5 m							4680*	4680*			3140*	3140*	6.39
6.0 m							5020*	5020*			2900*	2900*	7.45
4.5 m					6500*	6500*	5520*	5520*	5030*	4610	2840*	2840*	8.10
3.0 m					8160*	8160*	6270*	6270*	5340*	4490	2890*	2890*	8.43
1.5 m					9580*	9450	6990*	6080	5680*	4360	3070*	3070*	8.49
0 m					6650*	6650*	10180*	9150	7420*	5890	5850*	4270	8.27
-1.5 m	7190*	7190*	11250*	11250*	9980*	9070	7370*	5820	5620*	4240	4010*	4010*	7.75
-3.0 m	11870*	11870*	12450*	12450*	8950*	8950*	6600*	5870			5240*	4880	6.86
-4.5 m			9040*	9040*	6580*	6580*					4960*	4960*	5.43

\* The above loads (kg) are compliant to the ISO standards and refer to the excavator equipped without bucket. The indicated loads are no more than 87% of hydraulic system lift capacity or 75% of static tipping load. Values marked with an asterisk (\*) are limited by the hydraulic lifting capacity.

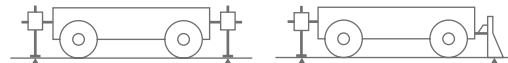
# BUCKETS

## WX210E MONO



### QUICK COUPLED - ON WHEELS

Capacity m <sup>3</sup> (ISO7451 HEAPED)	Width mm	Weight kg	Arm 2.40 m	Arm 2.70 m	Arm 2.92 m
<b>HEAVY DUTY BUCKETS</b>					
0.45	600	560	○	○	○
0.60	750	640	○	○	○
0.76	900	730	○	○	●
0.85	1000	760	●	●	●
0.92	1050	800	●	●	▲
0.96	1100	830	▲	▲	▲
1.08	1200	880	■	■	■
<b>DITCH CLEANING BUCKETS</b>					
0.86	1830	650	○	●	●
0.94	2130	710	●	●	▲



### QUICK COUPLED - STABILIZED

Capacity m <sup>3</sup> (ISO7451 HEAPED)	Width mm	Weight kg	Arm 2.40 m	Arm 2.70 m	Arm 2.92 m
<b>HEAVY DUTY BUCKETS</b>					
0.45	600	560	○	○	○
0.60	750	640	○	○	○
0.76	900	730	○	○	○
0.85	1000	760	○	○	●
0.92	1050	800	○	●	●
0.96	1100	830	●	●	▲
1.08	1200	880	▲	▲	■
1.24	1350	970	■	■	-
<b>DITCH CLEANING BUCKETS</b>					
0.86	1830	650	○	○	●
0.94	2130	710	○	●	●

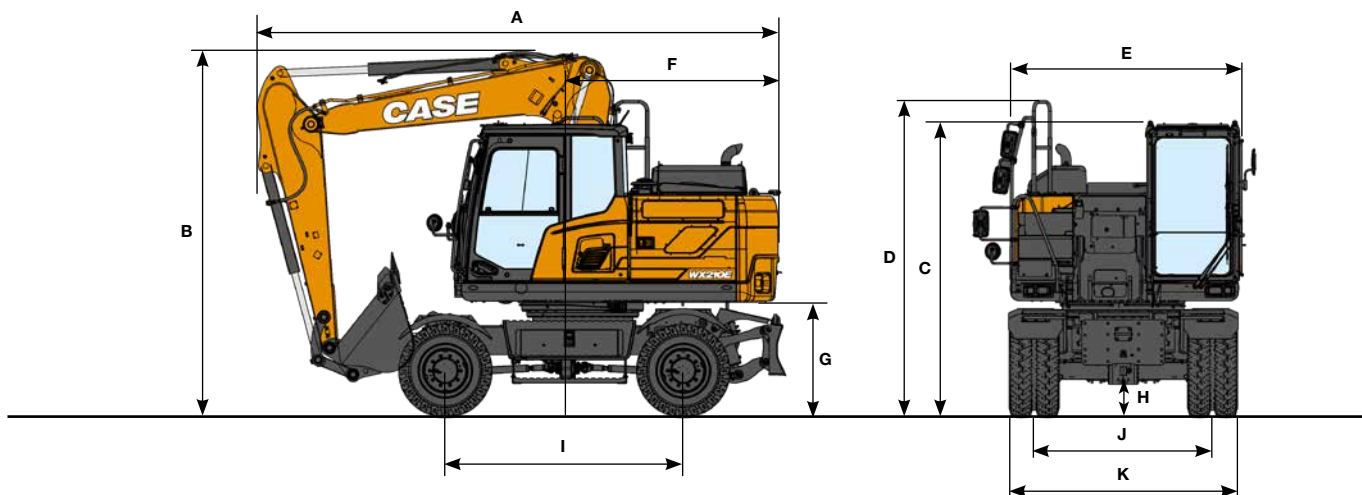
○ Rated material density up to 2 ton/m<sup>3</sup>  
● Rated material density up to 1.6 ton/m<sup>3</sup>

▲ Rated material density up to 1.4 ton/m<sup>3</sup>  
■ Rated material density up to 1.2 ton/m<sup>3</sup>

— Not applicable  
\* with bolt-on cutting edge

# SPECIFICATIONS

## WX210E 2-PIECE BOOM



GENERAL DIMENSIONS		Arm 2.92 m	Arm 2.40 m	Arm 2.70 m
A Overall length (with attachment) (traveling/transportation)	mm	6980 / 9230	7090 / 9240	7060 / 9250
B Overall height (to top of boom) (traveling/transportation)	mm	3990 / 3180	3990 / 3170	3990 / 3150
C Cab height	mm	3260	3260	3260
D Overall height (to top of handrail)	mm	3330	3330	3330
E Upper structure overall width	mm	2530	2530	2530
F Swing (rear end) radius	mm	2740	2740	2740
G Clearance height under upper structure	mm	1295	1295	1295
H Minimum ground clearance	mm	347	347	347
I Wheel base (center to center of wheels)	mm	2800	2800	2800
J Tread (standard axles/wide axles)	mm	1914 / 2114	1914 / 2114	1914 / 2114
K Undercarriage overall width (standard axles/wide axles)	mm	2530 / 2700	2530 / 2700	2530 / 2700

### WEIGHT

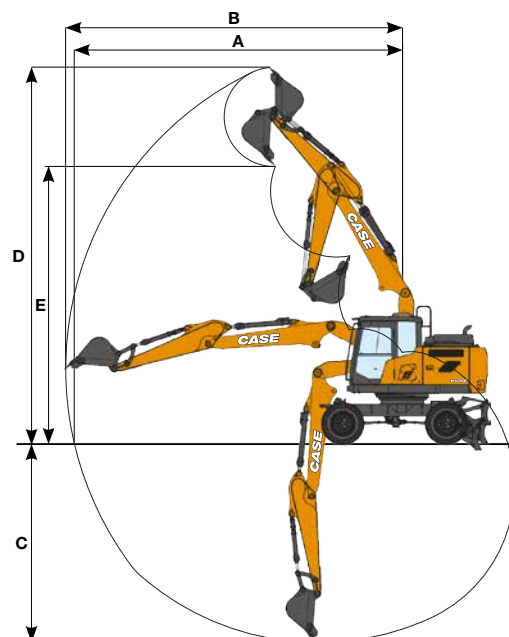
With 2.92 m arm, 0.8 m<sup>3</sup> bucket, 10.00×20 twin tires, standard counterweight, operator, lubricant, coolant, full fuel tank.

2-PIECE BOOM	WEIGHT
Rear blade	22510 kg
Front blade and rear stabilizers	23840 kg

Counterweight: 4100 kg

PERFORMANCE DATA		Arm 2.92 m	Arm 2.40 m	Arm 2.70 m
Boom length	mm	5400	5400	5400
A Maximum reach at GRP	mm	9610	9100	9400
B Maximum reach	mm	9810	9310	9600
C Max. digging depth	mm	6090	5570	5870
D Max. digging height	mm	10690	10300	10520
E Max. dumping height	mm	7750	7370	7590
F Min. swing radius	mm	2860	3030	2870

DIGGING FORCE (ISO 6015)		Arm 2.92 m	Arm 2.40 m	Arm 2.70 m
Arm digging force	kN	107	127	114
with Auto power up	kN	116	137	124
Bucket digging force	kN	151	151	151
with Auto power up	kN	164	164	164



# LIFTING CAPACITY

## WX210E 2-PIECE BOOM

		REACH										
		3.0 m		4.5 m		6.0 m		7.5 m		At max reach		
Front	Side											m
<b>FRONT BLADE &amp; REAR STABILIZERS DOWN</b> - 2-piece boom 5.40 m, arm 2.40 m, 4100 kg counterweight												
7.5 m				4680*	4680*					5110*	5110*	5.48
6.0 m				4810*	4810*	4800*	4800*			4720*	4720*	6.69
4.5 m	7890*	7890*		5910*	5910*	5170*	5170*			4510*	4510*	7.41
3.0 m				7600*	7600*	5920*	5920*	5290*	4400	4520*	4150	7.77
1.5 m				9200*	9010	6740*	5920	5660*	4310	4740*	4050	7.83
0 m				10120*	8790	7360*	5790	5950*	4260	5210*	4200	7.59
-1.5 m	12480*	12480*		10310*	8780	7570*	5760			6130*	4680	7.02
<b>FRONT BLADE &amp; REAR STABILIZERS UP</b> - 2-piece boom 5.40 m, arm 2.40 m, 4100 kg counterweight												
7.5 m				4680*	4680*					5110*	5110*	5.48
6.0 m				4810*	4810*	4800*	4800*			4720*	3990	6.69
4.5 m	7890*	7890*		5910*	5910*	5170*	4680			4510*	3340	7.41
3.0 m				7600*	6720	5920*	4470	4700	3220	4430	3040	7.77
1.5 m				9200*	6300	6390	4270	4610	3130	4320	2950	7.83
0 m				9670	6110	6240	4140	4560	3090	4490	3040	7.59
-1.5 m	12480*	11370		9650	6090	6220	4120			5020	3390	7.02
<b>FRONT &amp; REAR STABILIZERS DOWN</b> - 2-piece boom 5.40 m, arm 2.40 m, 4100 kg counterweight												
7.5 m				4680*	4680*					5110*	5110*	5.48
6.0 m				4810*	4810*	4800*	4800*			4720*	4720*	6.69
4.5 m	7890*	7890*		5910*	5910*	5170*	5170*			4510*	4510*	7.41
3.0 m				7600*	7600*	5920*	5920*	5290*	4920	4520*	4520*	7.77
1.5 m				9200*	9200*	6740*	6690	5660*	4830	4740*	4540	7.83
0 m				10120*	10120*	7360*	6550	5950*	4780	5210*	4710	7.59
-1.5 m	12480*	12480*		10310*	10120	7570*	6520			6130*	5270	7.02
<b>FRONT BLADE &amp; REAR STABILIZERS DOWN</b> - 2-piece boom 5.4 m, arm 2.70 m, 4100 kg counterweight												
9.0 m										5310*	5310*	3.87
7.5 m										4030*	4030*	5.87
6.0 m				4450*	4450*	4510*	4510*			3610*	3610*	7.02
4.5 m	7030*	7030*		5540*	5540*	4940*	4940*	4820*	4520	3460*	3460*	7.71
3.0 m				7250*	7250*	5720*	5720*	5100*	4440	3480*	3480*	8.05
1.5 m				8940*	8940*	6580*	5970	5530*	4330	3640*	3640*	8.11
0 m	6490*	6490*		10010*	8850	7270*	5820	5890*	4270	3990*	3990*	7.88
-1.5 m	12120*	12120*		10360*	8790	7590*	5770			4660*	4410	7.33
-3.0 m				9890*	8900							
<b>FRONT BLADE &amp; REAR STABILIZERS UP</b> - 2-piece boom 5.40 m, arm 2.70 m, 4100 kg counterweight												
9.0 m										5310*	5310*	3.87
7.5 m										4030*	4030*	5.87
6.0 m				4450*	4450*	4510*	4510*			3610*	3610*	7.02
4.5 m	7030*	7030*		5540*	5540*	4940*	4750	4820	3330	3460*	3170	7.71
3.0 m				7250*	6830	5720*	4530	4740	3250	3480*	2900	8.05
1.5 m				8940*	6390	6430	4320	4630	3160	3640*	2820	8.11
0 m	6490*	6490*		9720	6160	6270	4170	4560	3090	3990*	2900	7.88
-1.5 m	12120*	11360		9660	6110	6220	4130			4660*	3200	7.33
-3.0 m				9770	6200							
<b>FRONT &amp; REAR STABILIZERS DOWN</b> - 2-piece boom 5.40 m, arm 2.70 m, 4100 kg counterweight												
9.0 m										5310*	5310*	3.87
7.5 m										4030*	4030*	5.87
6.0 m				4450*	4450*	4510*	4510*			3610*	3610*	7.02
4.5 m	7030*	7030*		5540*	5540*	4940*	4940*	4820*	4820*	3460*	3460*	7.71
3.0 m				7250*	7250*	5720*	5720*	5100*	4960	3480*	3480*	8.05
1.5 m				8940*	8940*	6580*	6580*	5530*	4860	3640*	3640*	8.11
0 m	6490*	6490*		10010*	10010*	7270*	6580	5890*	4790	3990*	3990*	7.88
-1.5 m	12120*	12120*		10360*	10130	7590*	6530			4660*	4660*	7.33
-3.0 m				9890*	9890*							

\* The above loads (kg) are compliant to the ISO standards and refer to the excavator equipped without bucket. The indicated loads are no more than 87% of hydraulic system lift capacity or 75% of static tipping load. Values marked with an asterisk (\*) are limited by the hydraulic lifting capacity.

# LIFTING CAPACITY

## WX210E 2-PIECE BOOM

	REACH										
	3.0 m		4.5 m		6.0 m		7.5 m		At max reach		m
Front											
Side											
<b>FRONT BLADE &amp; REAR STABILIZERS DOWN</b> - 2-piece boom 5.4 m, arm 2.92 m, 4100 kg counterweight											
9.0 m									4500*	4500*	4.31
7.5 m					4450*	4450*			3510*	3510*	6.17
6.0 m					4230*	4230*			3160*	3160*	7.27
4.5 m			5190*	5190*	4680*	4680*	4560*	4500	3030*	3030*	7.93
3.0 m			6890*	6890*	5480*	5480*	4890*	4400	3040*	3040*	8.27
1.5 m			8620*	8620*	6370*	5930	5350*	4290	3180*	3180*	8.33
0 m	6800*	6800*	9780*	8770	7100*	5750	5750*	4200	3470*	3470*	8.10
-1.5 m	11610*	11610*	10240*	8690	7480*	5690	5030*	4200	4010*	4010*	7.57
-3.0 m			9920*	8780	7230*	5750					
<b>FRONT BLADE &amp; REAR STABILIZERS UP</b> - 2-piece boom 5.40 m, arm 2.92 m, 4100 kg counterweight											
9.0 m									4500*	4500*	4.31
7.5 m					4450*	4450*			3510*	3510*	6.17
6.0 m					4230*	4230*			3160*	3160*	7.27
4.5 m			5190*	5190*	4680*	4680*	4560*	3310	3030*	2990	7.93
3.0 m			6890*	6830	5480*	4500	4700	3220	3040*	2740	8.27
1.5 m			8620*	6350	6370*	4270	4590	3110	3180*	2660	8.33
0 m	6800*	6800*	9650	6080	6210	4110	4500	3030	3470*	2730	8.10
-1.5 m	11610*	11170	9560	6010	6140	4050	4500	3030	4010*	3000	7.57
-3.0 m			9650	6080	6210	4110					
<b>FRONT &amp; REAR STABILIZERS DOWN</b> - 2-piece boom 5.40 m, arm 2.92 m, 4100 kg counterweight											
9.0 m									4500*	4500*	4.31
7.5 m					4450*	4450*			3510*	3510*	6.17
6.0 m					4230*	4230*			3160*	3160*	7.27
4.5 m			5190*	5190*	4680*	4680*	4560*	4560*	3030*	3030*	7.93
3.0 m			6890*	6890*	5480*	5480*	4890*	4890*	3040*	3040*	8.27
1.5 m			8620*	8620*	6370*	6370*	5350*	4810	3180*	3180*	8.33
0 m	6800*	6800*	9780*	9780*	7100*	6520	5750*	4730	3470*	3470*	8.10
-1.5 m	11610*	11610*	10240*	10030	7480*	6450	5030*	4730	4010*	4010*	7.57
-3.0 m			9920*	9920*	7230*	6520					

# BUCKETS

## WX210E 2-PIECE BOOM



### QUICK COUPLED - ON WHEELS

Capacity m <sup>3</sup> (ISO7451 HEAPED)	Width mm	Weight kg	Arm 2.40 m	Arm 2.70 m	Arm 2.92 m
<b>HEAVY DUTY BUCKETS</b>					
0.45	600	560	○	○	○
0.60	750	640	○	○	○
0.76	900	730	○	○	○
0.85	1000	760	○	●	●
0.92	1050	800	●	●	▲
0.96	1100	830	▲	▲	▲
1.08	1200	880	▲	■	■
<b>DITCH CLEANING BUCKETS</b>					
0.86	1830	650	○	○	○
0.94	2130	710	○	○	●



### QUICK COUPLED - STABILIZED

Capacity m <sup>3</sup> (ISO7451 HEAPED)	Width mm	Weight kg	Arm 2.40 m	Arm 2.70 m	Arm 2.92 m
<b>HEAVY DUTY BUCKETS</b>					
0.45	600	560	○	○	○
0.60	750	640	○	○	○
0.76	900	730	○	○	○
0.85	1000	760	○	○	○
0.92	1050	800	○	○	●
0.96	1100	830	○	●	▲
1.08	1200	880	●	▲	■
1.24	1350	970	▲	■	■
<b>DITCH CLEANING BUCKETS</b>					
0.86	1830	650	○	○	○
0.94	2130	710	○	○	○

○ Rated material density up to 2 ton/m<sup>3</sup>  
● Rated material density up to 1.6 ton/m<sup>3</sup>

▲ Rated material density up to 1.4 ton/m<sup>3</sup>  
■ Rated material density up to 1.2 ton/m<sup>3</sup>

— Not applicable  
\* with bolt-on cutting edge

# BUILDING A STRONG CASE.

Since 1842, at CASE Construction Equipment we have lived by an unwavering commitment to build practical, intuitive solutions that deliver both efficiency and productivity.

We continually strive to make it easier for our customers to implement emerging technologies and new compliance mandates.

Today, our global scale combined with our local expertise enables us to keep customers' real-world challenges at the center of our product development.

The vast CASE dealers' network is always ready to support and protect your investment and exceed your expectations, while also providing you with the ultimate ownership experience.

Our goal is to build both stronger machines-and stronger communities. At the end of the day, we do what's right for our customers and our communities so that they can count on CASE.

**CNH Industrial**  
Deutschland GmbH  
Case Baumaschinen  
Benzstr. 1-3 - D-74076 Heilbronn  
DEUTSCHLAND

**CNH Industrial**  
Maquinaria Spain, S.A.  
Avenida Aragón 402  
28022 Madrid - ESPAÑA

**CNH Industrial France, S.A.**  
16-18 Rue des Rochettes  
91150 Morigny-Champigny  
FRANCE

**CNH Industrial Italia Spa**  
Lungo Stura Lazio 19  
10156, Torino  
ITALIA

**CASE Construction Equipment**  
Cranes Farm Rd  
Basildon - SS14 3AD  
UNITED KINGDOM

NOTE: Standard and optional fittings can vary according to the demands and specific regulations of each country. The illustrations may include optional rather than standard fittings - consult your Case dealer. Furthermore, CNH Industrial reserves the right to modify machine specifications without incurring any obligation relating to such changes.

Conforms to directive 2006/42/EC

**CASECE.COM**  
**00800-2273-7373**

The call is free from a land line.  
Check in advance with your Mobile Operator if you will be charged. Toll free number not available from all calling areas.